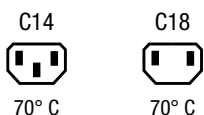


IEC Appliance Inlet C14 or C18 with Line Switch 1- or 2 pole and Fuseholder 1- or 2-pole



Description

- Panel Mount:
- Screw-on version from front or rear side, Appliance Inlet, protection class I or II, Fuseholder for fuse-links 5 x 20 mm, Line Switch 2-pole
- Solder terminals or quick connect terminals

Approvals

- UL License Number: E93617
- CSA License Number: 27324

Characteristics

- Line switch non-illuminated or illuminated

References

[General Product Information](#)

Weblinks

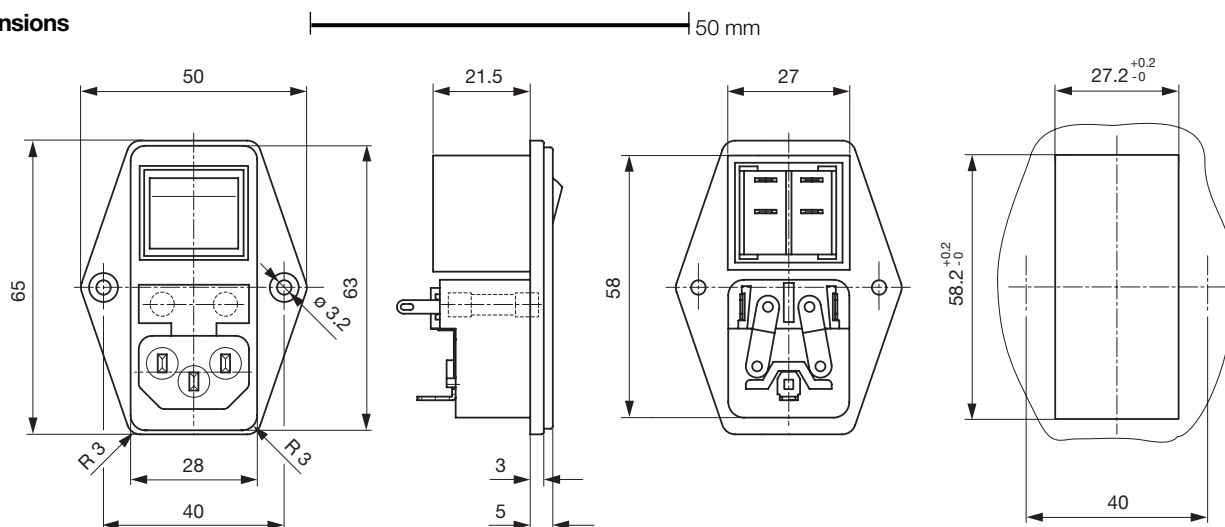
[Approvals](#), [RoHS](#), [CHINA-RoHS](#), [Mating Connectors](#), [Distributor-Stock-Check](#), [Accessories](#)

Technical Data

| | |
|---------------------------|--|
| Ratings IEC | 10A / 250VAC; 50Hz |
| Ratings UL/CSA | 10A / 250VAC; 60Hz |
| Dielectric Strength | > 3kVAC between L-N > 1.5kVAC between L/N-PE (1 min/50Hz) |
| Allowable Operation Temp. | -25 °C to 70 °C |
| Degree of Protection | from front side IP 20 acc. to IEC 60529 |
| Protection Class | Suitable for appliances with protection class 1 or 2 acc. to IEC 61140 |
| Terminal | Solder terminals or quick connect terminals |
| Material: Housing | black, UL 94V-0 |

| | |
|------------------------------|--|
| Appliance Inlet | C14 acc. to IEC/EN 60320-1 UL 498, CSA C22.2 no. 42 (for cold conditions) pin-temperature 70 °C, 10A, Protection Class 1 or 2 |
| Fuseholder | 1 or 2 pole, acc. to IEC 60127-6, for fuse-links 5 x 20 mm |
| Power Acceptance @ Ta > 23°C | Admissible power acceptance at higher ambient temperature see derating curves |
| Line Switch | Rocker switch 2-pole, non-illuminated or illuminated black, acc. to IEC 61058-1 Technical details |

Dimensions



Length of the terminal please find at the order code configuration table

Config. Code

Product Configurator

6765 - H - A B C N - D - E G O P


The characters are placeholders for the correspondingly keys of selections from the key tables.

6765 - H - A B C N - D - E G O P = Type

| Type | Configuration key |
|--------------------|-------------------|
| protection class 2 | B |
| protection class 1 | X |

6765 - H - A B C N - D - E G O P = Terminals

| Terminal L | Configuration key |
|---------------------------------|-------------------|
| short solder terminal (L=4,8mm) | 2 |
| long solder terminal (L=8,5mm) | 3 |
| blade terminal (2,8x0,8mm) | 7 |
| blade terminal (4,8x0,8mm) | 8 |
| blade terminal (6,3x0,8mm) | 9 |
| connection to fuse holder | B |



6765 - H - A B C N - D - E G O P = Terminals

| Terminal N | Configuration key |
|---------------------------------|-------------------|
| short solder terminal (L=4,8mm) | 2 |
| long solder terminal (L=8,5mm) | 3 |
| blade terminal (2,8x0,8mm) | 7 |
| blade terminal (4,8x0,8mm) | 8 |
| blade terminal (6,3x0,8mm) | 9 |
| connection to fuse holder | B |

Symbols similar as in table A

6765 - H - A B C N - D - E G O P = Terminals

| Terminal Ground | Configuration key |
|---------------------------------|-------------------|
| without terminal | 0 |
| short solder terminal (L=4,8mm) | 2 |
| long solder terminal (L=8,5mm) | 3 |
| blade terminal (2,8x0,8mm) | 7 |
| blade terminal (4,8x0,8mm) | 8 |
| blade terminal (6,3x0,8mm) | 9 |

Symbols similar as in table A

6765 - H - A B C N - D - E G O P = Terminal Fuseholder

| Terminal Fuseholder | Configuration key |
|---------------------|-------------------|
| solder terminal | 1 |

6765 - H - A B C N - D - E G O P = Color

| Color | Configuration key |
|-----------------------|-------------------|
| jet black; RAL9005 | A |
| standard color: black | |

6765 - H - A B C N - D - E G O P = Style

| Style | Configuration key |
|-------------------------------|-------------------|
| flange with countersunk holes | 1 |

6765 - H - A B C N - D - E G O P = Dimension X

| Dimension "X" | Configuration key |
|---------------|-------------------|
| 00 | |

The dimension "X" is displayed in ($\frac{1}{10}$ mm). This information is also valid for the order code

6765 - H - A B C N - D - E G O P = Features

| Features | Configuration key |
|--|-------------------|
| dead cover | 1 |
| holder for 1 or 2 fuses (text legible, when inlet on top) | 4 |
| holder for 1 or 2 fuses (text legible, when inlet on bottom) | 5 |

6765 - H - A B C N - D - E G O P = Latching Action Switch

| Latching Action Switch | Configuration key |
|---|-------------------|
| not used | 0 |
| dead cover | 1 |
| bipolar switch, 4,8mm blade terminal, black rocker | 4 |
| bipolar switch, solder terminals, black rocker | 5 |
| bipolar switch, 4,8mm blade terminal, rocker red illuminated | 6 |
| bipolar switch, solder terminal, rocker red illuminated | 7 |
| bipolar switch, 4,8mm blade terminals, rocker green illuminated | 8 |
| bipolar switch, solder terminals, rocker green illuminated | 9 |

| Config. Code | Description | Order Number |
|---------------------|---|--------------|
| 6765-X-BB91-A-10054 | 6765, IEC Power Entry Module C14, 70°C, version: 1 or 2, L: connection to fuse holder, N: connection to fuse holder, ground: blade terminal (6,3x0,8mm), fuseholder: solder terminal, color: jet black; RAL9005, design: flange with countersunk holes, dimension X: 00, features: holder for 1 or 2 fuses (text legible, when inlet on bottom), bipolar switch, 4,8mm blade terminal, black rocker | 4304.6095 |
| 6765-X-BB01-A-10040 | 6765, IEC Power Entry Module C14, 70°C, version: 1 or 2, L: connection to fuse holder, N: connection to fuse holder, ground: without terminal, fuseholder: solder terminal, color: jet black; RAL9005, design: flange with countersunk holes, dimension X: 00, features: holder for 1 or 2 fuses (text legible, when inlet on top), not used | 4304.6122 |
| 6765-X-BB81-A-10044 | 6765, IEC Power Entry Module C14, 70°C, version: 1 or 2, L: connection to fuse holder, N: connection to fuse holder, ground: blade terminal (4,8x0,8mm), fuseholder: solder terminal, color: jet black; RAL9005, design: flange with countersunk holes, dimension X: 00, features: holder for 1 or 2 fuses (text legible, when inlet on top), bipolar switch, 4,8mm blade terminal, black rocker | 4304.6123 |

The listed variants should be available from stock Other versions on request www.schurter.com/contact

Packaging unit 50 Pcs

Mating Outlets/Connectors

Category / Description

Connector Overview complete



| | |
|--|--------|
| IEC Connector C15, Rewireable, Straight | 0101 |
| IEC Connector C15A, Rewireable, Straight | 0102 |
| IEC Connector C15A, Rewireable, Straight | 0102-G |
| IEC Connector C15A, Rewireable, Angled | 0112 |
| IEC Connector C13, Rewireable, Angled | 4012 |

[Connector further types to 6765](#)

...

Power Cord Overview complete



| | |
|---|------|
| Power Cord with IEC Connector C13, Angled | 0311 |
| Power Cord with IEC Connector C13, Angled | 3011 |
| Power Cord with IEC Connector C13, Angled | 3012 |
| Power Cord with IEC Connector C13, Angled | 3013 |
| Power Cord with IEC Connector C13 | 3020 |

[Power Cord further types to 6765](#)

...

Power Supply or Interconnection Cord Overview complete



| | |
|--|-----------|
| Divers Power Supply and Interconnection Cords 10 A | 6000.0214 |
| Divers Power Supply and Interconnection Cords 10 A | 6000.0224 |
| Divers Power Supply and Interconnection Cords 10 A | 6003.0204 |
| Divers Power Supply and Interconnection Cords 10 A | 6003.0205 |
| Divers Power Supply and Interconnection Cords 10 A | 6003.0215 |

[Power Supply or Interconnection Cord further types to 6765](#)

...